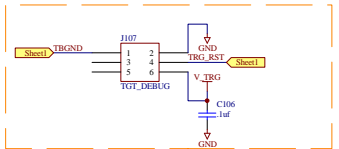
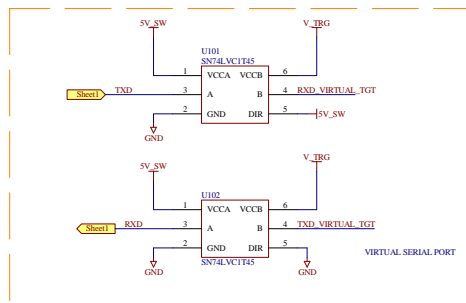
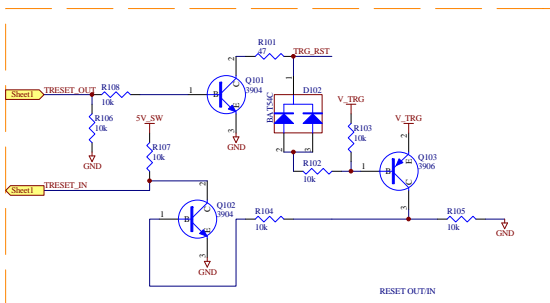


**P&E MICROCOMPUTER SYSTEMS**  
**WWW.PEMICRO.COM/OSBDM**

JM60 OSBDM - S08RS08HC12CPV1

Size	P/CSM No.	DWG No.	Rev
Scale			B
			Sheet 1 of 2



- OS\_PORT1 ELE\_PS\_SENSE
  - OS\_PORT1 5V\_TRG
  - OS\_PORT1 3V\_TRG
  - OS\_PORT1 V\_TRG
  - OS\_PORT1 TXD\_VIRTUAL\_TGT
  - OS\_PORT1 RXD\_VIRTUAL\_TGT
  - OS\_PORT1 TRGND
  - OS\_PORT1 TGT\_RST
  - OS\_PORT1 GND
- OSBDM TO TGT BOARD SIGNALS

These signals should be connected to the rest of the board circuitry.

<b>P&amp;E MICROCOMPUTER SYSTEMS</b>			
<b>WWW.PEMICRO.COM/OSBDM</b>			
JM60 OSBDM - S06/RS08/HCS12CPV1			
Size B	PCSM No.	DWG No.	Rev B
Scale	Sheet 2 of 2		